



## Fiona Sofa

1.



2.



3.



4.



5.



6.



### Stressless® Fiona Configurations

- 1. 2 seater
- 2. 3 Seater
- 3. 2.5 Seater
- 4. C 23
- 5. C 22
- 6. C 2-2.5

### Upholstered



### Wood



### Metal

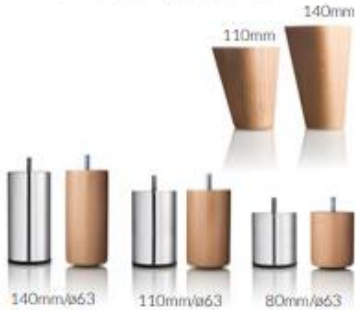


All configurations available in all arm options.

Choose from traditionally upholstered arms, elegant wood detailing or a more modern look with steel. The large selection of upholstery choices, wood and steel finishes, means you can put together a lounge that perfectly compliments your existing interior design.

Truro	Tregolls Road, TR1 1SB	01872 222 226
St Austell	8 Manfield Way, Holmbush, PL25 3HQ	01726 70711
Wadebridge	Bridgend, PL27 6DA	01208 814 242
Hayle	4 Fore Street, Copperhouse, TR27 4DY	01736 755 700

Fiona Upholstered comes with 8 leg options:



Fiona arms and legs come in 8 wood finishes:



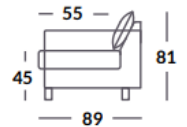
Fiona Metal comes in 2 finishes\*:



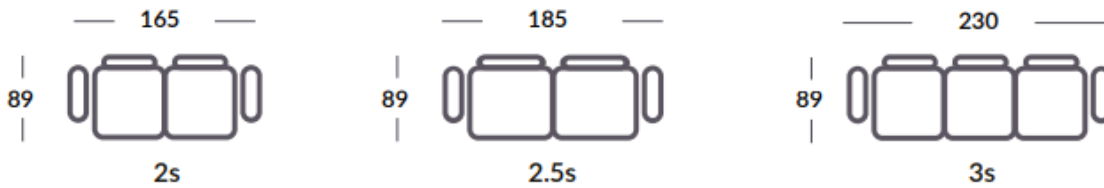
*Fiona Upholstered is only available in wood or Chrome legs*

## MODULES & DIMENSIONS

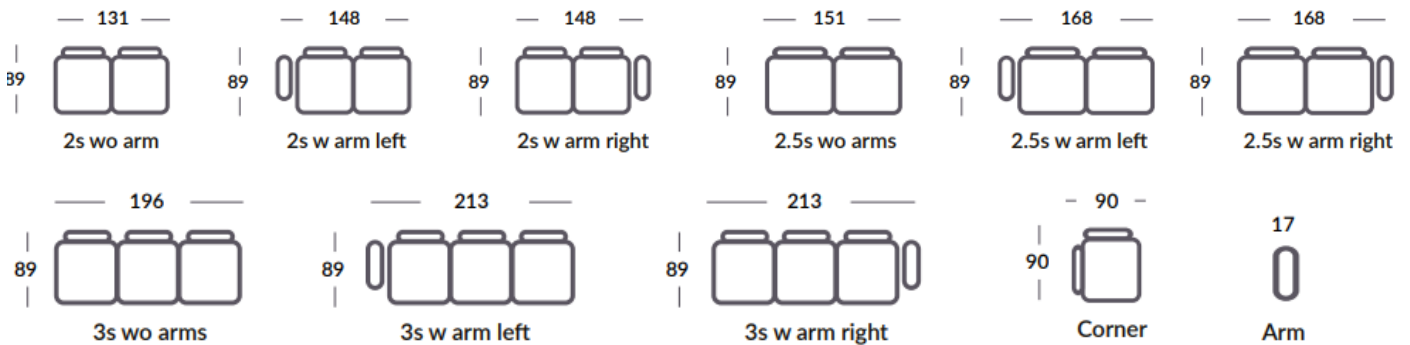
Depth: 89 cm  
 Height: 81cm  
 Seat height: 45 cm  
 Seat depth: 55 cm



## STANDARD MODULES



## SEPARATE MODULES FOR CUSTOMISED CONFIGURATIONS



## CONFIGURATIONS

Below are examples of possible configurations. You can add as many modules as you would like, as long as each end is finished with an arm or end module.

