



Anna Sofa

1.



2.



3.



4.



5.



6.



7.



Stressless® Anna Configurations

1. 1 Seater
2. 2 Seater
3. 3 seater
4. 2 seater w Longseat (L)
5. 2 seater w Longseat (M) & Centre module
6. C12 Pcenter CMM
7. C22 PMCMP

A1



A2



A3



All configurations available in all arm options.

With the Stressless® Anna sofa, you will have full freedom to select motorised and manual modules side by side. When the motorised function is selected, a footrest smoothly extends under your feet. The motorised headrest follows, and provides you with the optimal position for relaxation with your feet up. On the manual seat, you regulate the position with your hands. With the headrest in a collapsed position, the sofa appears visually smaller. In the raised position it offers good head support and transforms a low-back sofa into a high-back.

Truro	Tregolls Road, TR1 1SB	01872 222 226
St Austell	8 Manfield Way, Holmbush, PL25 3HQ	01726 70711
Wadebridge	Bridgend, PL27 6DA	01208 814 242
Hayle	4 Fore Street, Copperhouse, TR27 4DY	01736 755 700

Anna A3 arm and legs come in 8 wood finishes and 2 metal finishes:



Alu leg Organic



Alu leg Corner



Wood angled cone leg



Wood bow



Steel bow



Steel leg slim



Smoked Oak



Oak



Walnut



Grey



Teak



Brown



Wenge



Black



Polished steel



Matt Black

Please note Stressless® Anna is not available to order in Begonia velvet fabric.

MODULES & DIMENSIONS

Seat height: 46.5 cm

Depth reclined: 165.5 cm

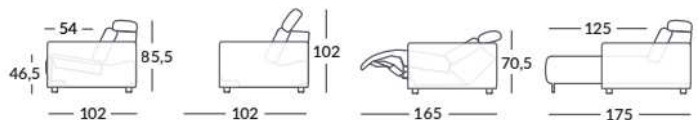
Seat depth: 54.5 cm

Depth long seat: 175 cm

Sofa height: 85.5/102/70.5 cm

Distance to wall: 6 cm

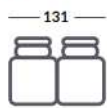
Depth upright: 102 cm



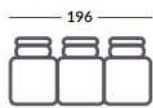
Modules with Power as option in all seats



1s wo arm



2s wo arm



3s wo arm



Corner



End back module Left



End back module Right



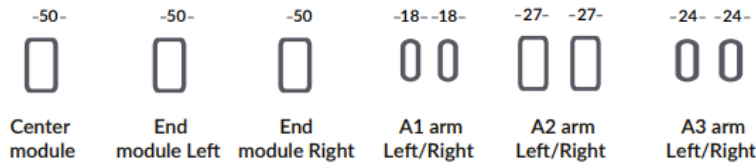
Longseat Medium



Longseat Large

Truro	Tregolls Road, TR1 1SB	01872 222 226
St Austell	8 Manfield Way, Holmbush, PL25 3HQ	01726 70711
Wadebridge	Bridgend, PL27 6DA	01208 814 242
Hayle	4 Fore Street, Copperhouse, TR27 4DY	01736 755 700

Modules without Power

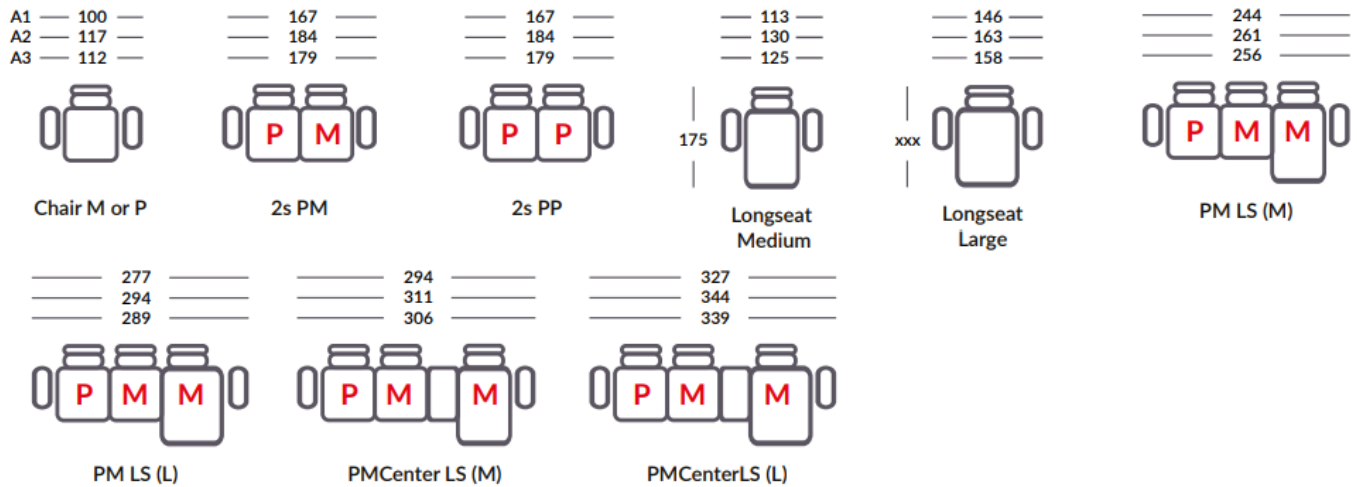


NB: Power Supply and Battery

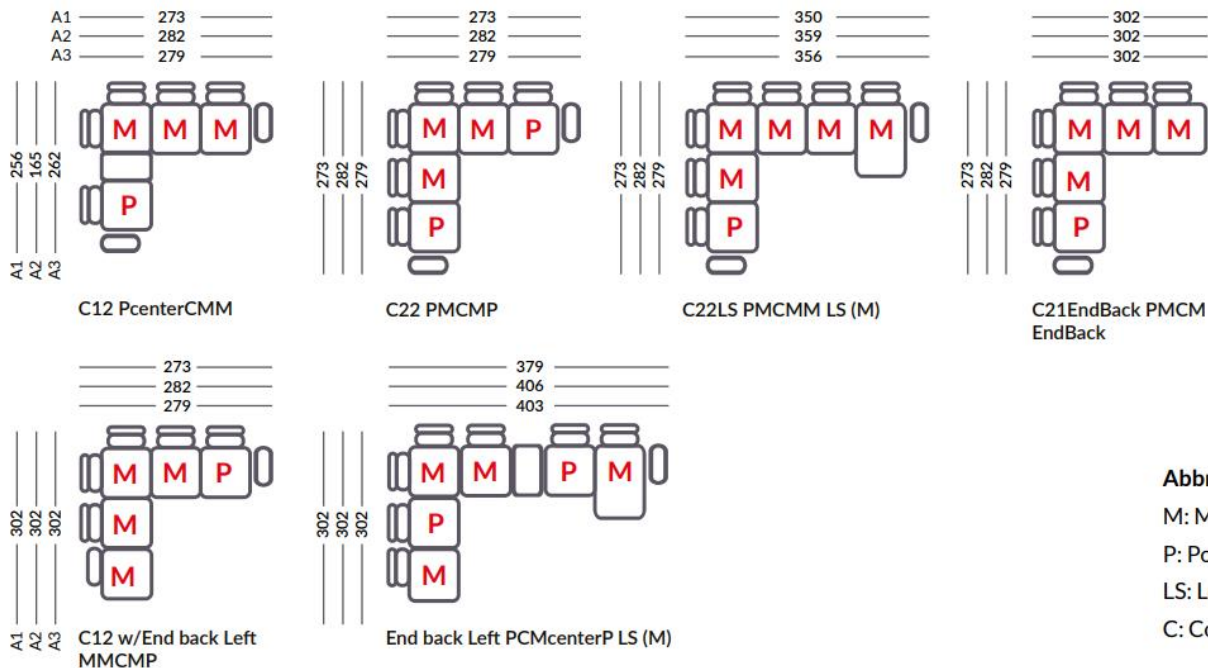
Only one power supply/battery needed per 3 Power seats.

CONFIGURATIONS

Below are examples of possible configurations.



CONFIGURATIONS WITH CORNER AND END/ CENTRE MODULES



Abbreviations

- M: Manual (no Power)
- P: Power
- LS: Longseat
- C: Corner