



**Carcase colours**



White matt

Black matt

Sanremo oak  
light colour

Sanremo oak  
dark colour

Walnut colour

**Front colours**



Crystal mirror

Grey mirror

Bronze mirror

Crystal white  
colour glass

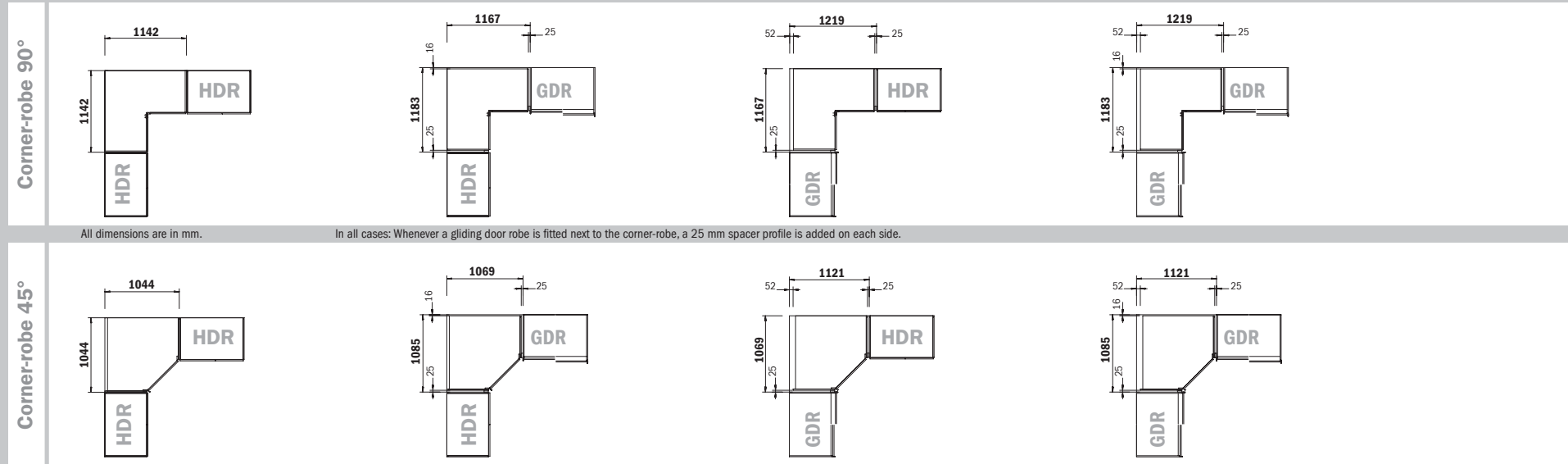
Black colour glass

Fango colour glass



## Combination examples for corner-robos with hinged and gliding door robes

### Space required for corner-robos with different build-on options



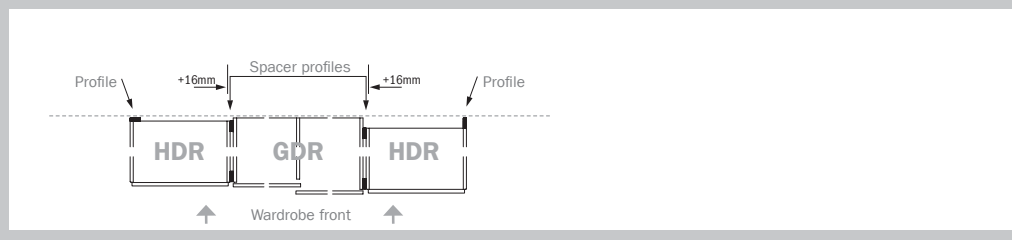
### Build-on options with hinged and gliding door robes

#### Fitting one by one:

The set of 3 spacer profiles that is available as an optional extra is used to fit hinged and gliding door robes next to one another. The examples show how the spacer profiles for gliding door robes (GDR) are fitted alongside hinged door robes (HDR):

- 2 profiles maintain the distance between the wardrobes to prevent the doors jamming when opened.
- The 3rd profile closes the gap to the wall caused by the different depths of the wardrobes.
- The profiles are suitable for fitting on the left or right (see drawings).
- **You will find the set of spacer profiles on the PASSEPARTOUTS page.**

#### Arrangement of spacer profiles when fitting hinged and gliding door robes



### Selecting articles from the price list

...the **1 2 3** ordering system:

- 1 Select the colour code for the desired front and colour variation from the table overleaf (e.g. **Z123**\_)
- 2 Find the identification letters for the colour of the handle/profile and enter them in the space in the colour code (e.g. **Z123C**)
- 3 Select article (**width** and **height**) and simply read the **article no.** and **price** from the row below according to the front variation.

4 attractive front variants

1

Hinged door robes



Gliding door robes



Front version 1

2

Hinged door robes



Gliding door robes



Front version 2

3

Hinged door robes



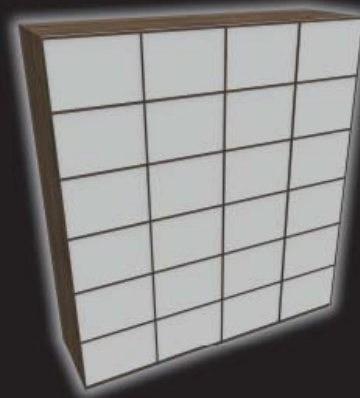
Gliding door robes



Front version 3

4

Hinged door robes



Gliding door robes



Front version 4

# STEFFEN

## FRONT 1 | Gliding and hinged door robes

1 COL. CODE	FRONT VARIATION ▶	MIRROR	COLOUR MIRROR OR	COLOUR GLASS			
<b>CARCASE COLOUR ▼</b>	<b>INTERIOR COLOUR ▼</b>	Crystal mirror	Grey mirror	Bronze mirror	Crystal white	Black	Fango
White matt	Structure grey	<b>Z010_</b>	<b>Z011_</b>	<b>Z012_</b>	<b>Z015_</b>	<b>Z017_</b>	<b>Z018_</b>
Black matt	Structure grey	<b>Z030_</b>	<b>Z031_</b>	<b>Z032_</b>	<b>Z035_</b>	<b>Z037_</b>	<b>Z038_</b>
Sanremo oak light colour	Structure grey	<b>Z050_</b>	<b>Z051_</b>	<b>Z052_</b>	<b>Z055_</b>	<b>Z057_</b>	<b>Z058_</b>
Sanremo oak dark colour	Structure grey	<b>Z070_</b>	<b>Z071_</b>	<b>Z072_</b>	<b>Z075_</b>	<b>Z077_</b>	<b>Z078_</b>
Walnut colour	Structure grey	<b>Z090_</b>	<b>Z091_</b>	<b>Z092_</b>	<b>Z095_</b>	<b>Z097_</b>	<b>Z098_</b>

**\*NOTE:**  
If CARCASE COLOUR is selected for a hinged door robe, the profiles are always in carcase colour and the handles chrome-coloured.

2 PROFILES AND HANDLES ▶	CHROME-COLOURED =	CARCASE COLOUR * =
	Please add a "C" to the colour code	Please add a "K" to the colour code

3 GLIDING DOOR ROBES	Width in cm	160 (approx.162 cm)	200 (approx.200 cm)	240 (approx.239 cm)	280 (approx.280 cm)	320 (approx.319 cm)
	Depth 68 cm					
Drawing showing door configuration						
Number of doors	2	2	2	2	2	
<b>HEIGHT 223 CM</b>	▼ Art. no.	▼ Price £	...	<b>HEIGHT 223 CM</b>		
Mirror	<b>1B66</b>		<b>1B70</b>	<b>1B74</b>	<b>1B78</b>	<b>1B82</b>
Colour mirror or colour glass	<b>1C66</b>		<b>1C70</b>	<b>1C74</b>	<b>1C78</b>	<b>1C82</b>
<b>HEIGHT 236 CM</b>	▼ Art. no.	▼ Price £	...	<b>HEIGHT 236 CM</b>		
Mirror	<b>1N66</b>		<b>1N70</b>	<b>1N74</b>	<b>1N78</b>	<b>1N82</b>
Colour mirror or colour glass	<b>1P66</b>		<b>1P70</b>	<b>1P74</b>	<b>1P78</b>	<b>1P82</b>

HINGED DOOR ROBES	Width in cm	150 (approx.151 cm)	200 (approx.200 cm)	250 (approx.250 cm)	300 (approx.299 cm)	
	Depth 61 cm					
Drawing showing door stop						
Number of doors	3	4	5	6		
<b>HEIGHT 223 CM</b>	▼ Art. no.	▼ Price £	...	<b>HEIGHT 223 CM</b>		
Mirror	<b>1B15</b>		<b>1B20</b>	<b>1B25</b>	<b>1B30</b>	<b>2382</b>
Colour mirror or colour glass	<b>1C15</b>		<b>1C20</b>	<b>1C25</b>	<b>1C30</b>	
<b>HEIGHT 236 CM</b>	▼ Art. no.	▼ Price £	...	<b>HEIGHT 236 CM</b>		
Mirror	<b>1N15</b>		<b>1N20</b>	<b>1N25</b>	<b>1N30</b>	<b>2383</b>
Colour mirror or colour glass	<b>1P15</b>		<b>1P20</b>	<b>1P25</b>	<b>1P30</b>	



# FRONT 1 | Individual units and corner-robes

1 COL. CODE	FRONT VARIATION ▶	MIRROR	COLOUR MIRROR	OR	COLOUR GLASS			
CARCASE COLOUR ▼	INTERIOR COLOUR ▼	Crystal mirror	Grey mirror		Bronze mirror	Crystal white	Black	Fango
White matt	Structure grey	<b>Z010</b> ...	<b>Z011</b> ...		<b>Z012</b> ...	<b>Z015</b> ...	<b>Z017</b> ...	<b>Z018</b> ...
Black matt	Structure grey	<b>Z030</b> ...	<b>Z031</b> ...		<b>Z032</b> ...	<b>Z035</b> ...	<b>Z037</b> ...	<b>Z038</b> ...
Sanremo oak light colour	Structure grey	<b>Z050</b> ...	<b>Z051</b> ...		<b>Z052</b> ...	<b>Z055</b> ...	<b>Z057</b> ...	<b>Z058</b> ...
Sanremo oak dark colour	Structure grey	<b>Z070</b> ...	<b>Z071</b> ...		<b>Z072</b> ...	<b>Z075</b> ...	<b>Z077</b> ...	<b>Z078</b> ...
Walnut colour	Structure grey	<b>Z090</b> ...	<b>Z091</b> ...		<b>Z092</b> ...	<b>Z095</b> ...	<b>Z097</b> ...	<b>Z098</b> ...

**\*NOTE:**  
If CARCASE COLOUR is selected for a hinged door robe, the profiles are always in carcase colour and the handles chrome-coloured.

<b>2 PROFILES AND HANDLES ▶</b>	<b>CHROME-COLOURED =</b> Please add a "C" to the colour code	<b>CARCASE COLOUR * =</b> Please add a "K" to the colour code
---------------------------------	--	---

3 INDIVIDUAL UNITS	Width in cm	50 (approx.48 cm)	50 (approx.48 cm)	50 (approx.51 cm)	50 (approx.51 cm)	100 (approx.101 cm)		
	Depth 61 cm							
Drawing showing door stop								
Name	Bevelled end unit, left		Bevelled end unit, right		1-door unit, left		1-door unit, right	2-door unit
HEIGHT 223 CM	▼ Art. no. ▼ Price £		...		HEIGHT 223 CM			
Mirror	<b>1B1L</b>		<b>1B1R</b>		<b>1B5L</b>		<b>1B5R</b>	<b>1B10</b>
Colour mirror or colour glass	<b>1C1L</b>		<b>1C1R</b>		<b>1C5L</b>		<b>1C5R</b>	<b>1C10</b>
HEIGHT 236 CM	▼ Art. no. ▼ Price £		...		HEIGHT 236 CM			
Mirror	<b>1N1L</b>		<b>1N1R</b>		<b>1N5L</b>		<b>1N5R</b>	<b>1N10</b>
Colour mirror or colour glass	<b>1P1L</b>		<b>1P1R</b>		<b>1P5L</b>		<b>1P5R</b>	<b>1P10</b>

CORNER-ROBES/ SHELF UNITS	Width in cm	105	115	30 - 101	45	Lighting for corner-robe 45°	
	Depth 41 cm (shelf units only)						
Drawing							
Name	Corner-robe 45°, walk-in, with interior lighting		Corner robe 90°, 2 doors		Made-to-measure and TV shelf, width alteration 30-101 cm	Coat rack element	
HEIGHT 223 CM	▼ Art. no. ▼ Price £		...		HEIGHT 223 CM		
Mirror	<b>1B01</b>		<b>1B02</b>		<b>4200</b>		<b>2398</b>
Colour mirror or colour glass	<b>1C01</b>		<b>1C02</b>		<b>4200</b>		<b>2398</b>
HEIGHT 236 CM	▼ Art. no. ▼ Price £		...		HEIGHT 236 CM		
Mirror	<b>1N01</b>		<b>1N02</b>		<b>4205</b>		<b>2399</b>
Colour mirror or colour glass	<b>1P01</b>		<b>1P02</b>		<b>4205</b>		<b>2399</b>

# STEFFEN

## FRONT 2 | Gliding and hinged door robes

1 COL. CODE	FRONT VARIATION ▶	MIRROR	COLOUR MIRROR	OR	COLOUR GLASS			
<b>CARCASE COLOUR ▼</b>	<b>INTERIOR COLOUR ▼</b>	Crystal mirror	Grey mirror		Bronze mirror	Crystal white	Black	Fango
White matt	Structure grey	<b>Z010_</b>	<b>Z011_</b>		<b>Z012_</b>	<b>Z015_</b>	<b>Z017_</b>	<b>Z018_</b>
Black matt	Structure grey	<b>Z030_</b>	<b>Z031_</b>		<b>Z032_</b>	<b>Z035_</b>	<b>Z037_</b>	<b>Z038_</b>
Sanremo oak light colour	Structure grey	<b>Z050_</b>	<b>Z051_</b>		<b>Z052_</b>	<b>Z055_</b>	<b>Z057_</b>	<b>Z058_</b>
Sanremo oak dark colour	Structure grey	<b>Z070_</b>	<b>Z071_</b>		<b>Z072_</b>	<b>Z075_</b>	<b>Z077_</b>	<b>Z078_</b>
Walnut colour	Structure grey	<b>Z090_</b>	<b>Z091_</b>		<b>Z092_</b>	<b>Z095_</b>	<b>Z097_</b>	<b>Z098_</b>

**\*NOTE:**  
If CARCASE COLOUR is selected for a hinged door robe, the profiles are always in carcase colour and the handles chrome-coloured.

2 PROFILES AND HANDLES ▶	CHROME-COLOURED =	Please add a "C" to the colour code	CARCASE COLOUR * =	Please add a "K" to the colour code
--------------------------	-------------------	-------------------------------------	--------------------	-------------------------------------

3 GLIDING DOOR ROBES	Width in cm	160 (approx.162 cm)	200 (approx.200 cm)	240 (approx.239 cm)	280 (approx.280 cm)	320 (approx.319 cm)
	Depth 68 cm					
Drawing showing door configuration						
Number of doors	2	2	2	2	2	2
<b>HEIGHT 223 CM</b>	▼ Art. no.	▼ Price £	...	<b>HEIGHT 223 CM</b>		
Mirror	<b>2B66</b>		<b>2B70</b>	<b>2B74</b>	<b>2B78</b>	<b>2B82</b>
Colour mirror or colour glass	<b>2C66</b>		<b>2C70</b>	<b>2C74</b>	<b>2C78</b>	<b>2C82</b>
<b>HEIGHT 236 CM</b>	▼ Art. no.	▼ Price £	...	<b>HEIGHT 236 CM</b>		
Mirror	<b>2N66</b>		<b>2N70</b>	<b>2N74</b>	<b>2N78</b>	<b>2N82</b>
Colour mirror or colour glass	<b>2P66</b>		<b>2P70</b>	<b>2P74</b>	<b>2P78</b>	<b>2P82</b>

HINGED DOOR ROBES	Width in cm	150 (approx.151 cm)	200 (approx.200 cm)	250 (approx.250 cm)	300 (approx.299 cm)	
	Depth 61 cm					
Drawing showing door stop						
Number of doors	3	4	5	6		
<b>HEIGHT 223 CM</b>	▼ Art. no.	▼ Price £	...	<b>HEIGHT 223 CM</b>		
Mirror	<b>2B15</b>		<b>2B20</b>	<b>2B25</b>	<b>2B30</b>	<b>2382</b>
Colour mirror or colour glass	<b>2C15</b>		<b>2C20</b>	<b>2C25</b>	<b>2C30</b>	
<b>HEIGHT 236 CM</b>	▼ Art. no.	▼ Price £	...	<b>HEIGHT 236 CM</b>		
Mirror	<b>2N15</b>		<b>2N20</b>	<b>2N25</b>	<b>2N30</b>	<b>2383</b>
Colour mirror or colour glass	<b>2P15</b>		<b>2P20</b>	<b>2P25</b>	<b>2P30</b>	

# FRONT 2 | Individual units and corner-robes

STEFFEN

1 COL. CODE FRONT VARIATION ▶		MIRROR	COLOUR MIRROR	OR	COLOUR GLASS			
CARCASE COLOUR ▼	INTERIOR COLOUR ▼	Crystal mirror	Grey mirror		Bronze mirror	Crystal white	Black	Fango
White matt	Structure grey	<b>Z010</b> ...	<b>Z011</b> ...		<b>Z012</b> ...	<b>Z015</b> ...	<b>Z017</b> ...	<b>Z018</b> ...
Black matt	Structure grey	<b>Z030</b> ...	<b>Z031</b> ...		<b>Z032</b> ...	<b>Z035</b> ...	<b>Z037</b> ...	<b>Z038</b> ...
Sanremo oak light colour	Structure grey	<b>Z050</b> ...	<b>Z051</b> ...		<b>Z052</b> ...	<b>Z055</b> ...	<b>Z057</b> ...	<b>Z058</b> ...
Sanremo oak dark colour	Structure grey	<b>Z070</b> ...	<b>Z071</b> ...		<b>Z072</b> ...	<b>Z075</b> ...	<b>Z077</b> ...	<b>Z078</b> ...
Walnut colour	Structure grey	<b>Z090</b> ...	<b>Z091</b> ...		<b>Z092</b> ...	<b>Z095</b> ...	<b>Z097</b> ...	<b>Z098</b> ...

**\*NOTE:**  
If CARCASE COLOUR is selected for a hinged door robe, the profiles are always in carcase colour and the handles chrome-coloured.

2 PROFILES AND HANDLES ▶	CHROME-COLOURED = Please add a "C" to the colour code	CARCASE COLOUR * = Please add a "K" to the colour code
--------------------------	---	--

3 INDIVIDUAL UNITS	Width in cm	50 (approx.48 cm)	50 (approx.48 cm)	50 (approx.51 cm)	50 (approx.51 cm)	100 (approx.101 cm)	
	Depth 61 cm						
Drawing showing door stop	394, 479, 586		586, 479, 394				
Name	Bevelled end unit, left		Bevelled end unit, right		1-door unit, left	1-door unit, right	2-door unit
HEIGHT 223 CM	▼ Art. no. ▼ Price £		HEIGHT 223 CM				
Mirror	<b>2B1L</b>		<b>2B1R</b>		<b>2B5L</b>	<b>2B5R</b>	<b>2B10</b>
Colour mirror or colour glass	<b>2C1L</b>		<b>2C1R</b>		<b>2C5L</b>	<b>2C5R</b>	<b>2C10</b>
HEIGHT 236 CM	▼ Art. no. ▼ Price £		HEIGHT 236 CM				
Mirror	<b>2N1L</b>		<b>2N1R</b>		<b>2N5L</b>	<b>2N5R</b>	<b>2N10</b>
Colour mirror or colour glass	<b>2P1L</b>		<b>2P1R</b>		<b>2P5L</b>	<b>2P5R</b>	<b>2P10</b>

CORNER-ROBES/ SHELF UNITS	Width in cm	105	115	30 - 101	45	Lighting for corner-robe 45°	
	Depth 41 cm (shelf units only)						
Drawing	1069, 1069, 586		1167, 1167, 586		Only suitable for intermediate installation. Widths can be altered at 1 cm intervals. Please specify the desired width! Can be ordered for all colour codes.	Can be used left and right. Mounted on outside of wardrobe. Can be ordered for all colour codes.	
Name	Corner-robe 45°, walk-in, with interior lighting		Corner robe 90°, 2 doors		Made-to-measure and TV shelf, width alteration 30-101 cm	Coat rack element	
HEIGHT 223 CM	▼ Art. no. ▼ Price £		HEIGHT 223 CM				
Mirror	<b>2B01</b>		<b>2B02</b>		<b>4200</b>	<b>2398</b>	
Colour mirror or colour glass	<b>2C01</b>		<b>2C02</b>		<b>4200</b>	<b>2398</b>	
HEIGHT 236 CM	▼ Art. no. ▼ Price £		HEIGHT 236 CM				
Mirror	<b>2N01</b>		<b>2N02</b>		<b>4205</b>	<b>2399</b>	
Colour mirror or colour glass	<b>2P01</b>		<b>2P02</b>		<b>4205</b>	<b>2399</b>	



# STEFFEN

## FRONT 3 | Gliding and hinged door robes

1 COL. CODE	FRONT VARIATION ▶	MIRROR	COLOUR MIRROR	OR	COLOUR GLASS			
<b>CARCASE COLOUR ▼</b>	<b>INTERIOR COLOUR ▼</b>	Crystal mirror	Grey mirror		Bronze mirror	Crystal white	Black	Fango
White matt	Structure grey	<b>Z010</b> ...	<b>Z011</b> ...		<b>Z012</b> ...	<b>Z015</b> ...	<b>Z017</b> ...	<b>Z018</b> ...
Black matt	Structure grey	<b>Z030</b> ...	<b>Z031</b> ...		<b>Z032</b> ...	<b>Z035</b> ...	<b>Z037</b> ...	<b>Z038</b> ...
Sanremo oak light colour	Structure grey	<b>Z050</b> ...	<b>Z051</b> ...		<b>Z052</b> ...	<b>Z055</b> ...	<b>Z057</b> ...	<b>Z058</b> ...
Sanremo oak dark colour	Structure grey	<b>Z070</b> ...	<b>Z071</b> ...		<b>Z072</b> ...	<b>Z075</b> ...	<b>Z077</b> ...	<b>Z078</b> ...
Walnut colour	Structure grey	<b>Z090</b> ...	<b>Z091</b> ...		<b>Z092</b> ...	<b>Z095</b> ...	<b>Z097</b> ...	<b>Z098</b> ...

**\*NOTE:**  
If CARCASE COLOUR is selected for a hinged door robe, the profiles are always in carcase colour and the handles chrome-coloured.

2 PROFILES AND HANDLES ▶	CHROME-COLOURED =	Please add a "C" to the colour code	CARCASE COLOUR * =	Please add a "K" to the colour code
--------------------------	-------------------	-------------------------------------	--------------------	-------------------------------------

3 GLIDING DOOR ROBES	Width in cm	160 (approx.162 cm)	200 (approx.200 cm)	240 (approx.239 cm)	280 (approx.280 cm)	320 (approx.319 cm)
	Depth 68 cm					
Drawing showing door configuration						
Number of doors	2	2	2	2	2	2
<b>HEIGHT 223 CM</b>	▼ Art. no.	▼ Price £	...	<b>HEIGHT 223 CM</b>		
Mirror	<b>3B66</b>		<b>3B70</b>	<b>3B74</b>	<b>3B78</b>	<b>3B82</b>
Colour mirror or colour glass	<b>3C66</b>		<b>3C70</b>	<b>3C74</b>	<b>3C78</b>	<b>3C82</b>
<b>HEIGHT 236 CM</b>	▼ Art. no.	▼ Price £	...	<b>HEIGHT 236 CM</b>		
Mirror	<b>3N66</b>		<b>3N70</b>	<b>3N74</b>	<b>3N78</b>	<b>3N82</b>
Colour mirror or colour glass	<b>3P66</b>		<b>3P70</b>	<b>3P74</b>	<b>3P78</b>	<b>3P82</b>

HINGED DOOR ROBES	Width in cm	150 (approx.151 cm)	200 (approx.200 cm)	250 (approx.250 cm)	300 (approx.299 cm)	
	Depth 61 cm					
Drawing showing door stop						
Number of doors	3	4	5	6		
<b>HEIGHT 223 CM</b>	▼ Art. no.	▼ Price £	...	<b>HEIGHT 223 CM</b>		
Mirror	<b>3B15</b>		<b>3B20</b>	<b>3B25</b>	<b>3B30</b>	<b>2382</b>
Colour mirror or colour glass	<b>3C15</b>		<b>3C20</b>	<b>3C25</b>	<b>3C30</b>	
<b>HEIGHT 236 CM</b>	▼ Art. no.	▼ Price £	...	<b>HEIGHT 236 CM</b>		
Mirror	<b>3N15</b>		<b>3N20</b>	<b>3N25</b>	<b>3N30</b>	<b>2383</b>
Colour mirror or colour glass	<b>3P15</b>		<b>3P20</b>	<b>3P25</b>	<b>3P30</b>	

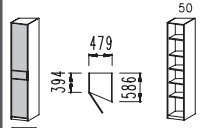
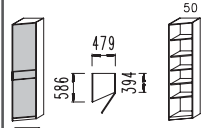
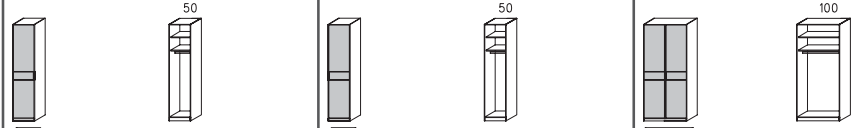
# FRONT 3 | Individual units and corner-robes

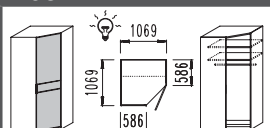
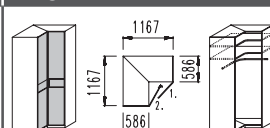

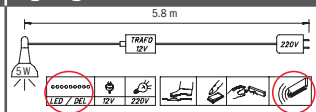
STEFFEN

1 COL. CODE FRONT VARIATION ▶		MIRROR	COLOUR MIRROR	OR	COLOUR GLASS			
CARCASE COLOUR ▼	INTERIOR COLOUR ▼	Crystal mirror	Grey mirror		Bronze mirror	Crystal white	Black	Fango
White matt	Structure grey	Z010_	Z011_		Z012_	Z015_	Z017_	Z018_
Black matt	Structure grey	Z030_	Z031_		Z032_	Z035_	Z037_	Z038_
Sanremo oak light colour	Structure grey	Z050_	Z051_		Z052_	Z055_	Z057_	Z058_
Sanremo oak dark colour	Structure grey	Z070_	Z071_		Z072_	Z075_	Z077_	Z078_
Walnut colour	Structure grey	Z090_	Z091_		Z092_	Z095_	Z097_	Z098_

**\*NOTE:**  
If CARCASE COLOUR is selected for a hinged door robe, the profiles are always in carcase colour and the handles chrome-coloured.

2 PROFILES AND HANDLES ▶	CHROME-COLOURED = Please add a "C" to the colour code	CARCASE COLOUR * = Please add a "K" to the colour code
--------------------------	---	--

3 INDIVIDUAL UNITS	Width in cm	50 (approx.48 cm)	50 (approx.48 cm)	50 (approx.51 cm)	50 (approx.51 cm)	100 (approx.101 cm)			
	Depth 61 cm								
Drawing showing door stop	394, 479, 586		586, 479, 394						
Name	Bevelled end unit, left		Bevelled end unit, right		1-door unit, left		1-door unit, right	2-door unit	
HEIGHT 223 CM	▼ Art. no. ▼ Price £		...		HEIGHT 223 CM				
Mirror	3B1L		3B1R		3B5L		3B5R		3B10
Colour mirror or colour glass	3C1L		3C1R		3C5L		3C5R		3C10
HEIGHT 236 CM	▼ Art. no. ▼ Price £		...		HEIGHT 236 CM				
Mirror	3N1L		3N1R		3N5L		3N5R		3N10
Colour mirror or colour glass	3P1L		3P1R		3P5L		3P5R		3P10

CORNER-ROBES/ SHELF UNITS	Width in cm	105	115	30 - 101	45	Lighting for corner-robe 45°	
	Depth 41 cm (shelf units only)						
Drawing	1069, 1069, 586		1167, 1167, 586		5.8 m		
Name	Corner-robe 45°, walk-in, with interior lighting		Corner robe 90°, 2 doors		Made-to-measure and TV shelf, width alteration 30-101 cm		Coat rack element
HEIGHT 223 CM	▼ Art. no. ▼ Price £		...		HEIGHT 223 CM		
Mirror	3B01		3B02		4200		2398
Colour mirror or colour glass	3C01		3C02		4200		2398
HEIGHT 236 CM	▼ Art. no. ▼ Price £		...		HEIGHT 236 CM		
Mirror	3N01		3N02		4205		2399
Colour mirror or colour glass	3P01		3P02		4205		2399

# STEFFEN

## FRONT 4 | Gliding and hinged door robes

1 COL. CODE	FRONT VARIATION ▶	MIRROR	COLOUR MIRROR	OR	COLOUR GLASS			
<b>CARCASE COLOUR ▼</b>	<b>INTERIOR COLOUR ▼</b>	Crystal mirror	Grey mirror		Bronze mirror	Crystal white	Black	Fango
White matt	Structure grey	<b>Z010_</b>	<b>Z011_</b>		<b>Z012_</b>	<b>Z015_</b>	<b>Z017_</b>	<b>Z018_</b>
Black matt	Structure grey	<b>Z030_</b>	<b>Z031_</b>		<b>Z032_</b>	<b>Z035_</b>	<b>Z037_</b>	<b>Z038_</b>
Sanremo oak light colour	Structure grey	<b>Z050_</b>	<b>Z051_</b>		<b>Z052_</b>	<b>Z055_</b>	<b>Z057_</b>	<b>Z058_</b>
Sanremo oak dark colour	Structure grey	<b>Z070_</b>	<b>Z071_</b>		<b>Z072_</b>	<b>Z075_</b>	<b>Z077_</b>	<b>Z078_</b>
Walnut colour	Structure grey	<b>Z090_</b>	<b>Z091_</b>		<b>Z092_</b>	<b>Z095_</b>	<b>Z097_</b>	<b>Z098_</b>

**\*NOTE:**  
If CARCASE COLOUR is selected for a hinged door robe, the profiles are always in carcase colour and the handles chrome-coloured.

2 PROFILES AND HANDLES ▶	CHROME-COLOURED =	Please add a "C" to the colour code	CARCASE COLOUR * =	Please add a "K" to the colour code
--------------------------	-------------------	-------------------------------------	--------------------	-------------------------------------

3 GLIDING DOOR ROBES	Width in cm	160 (approx.162 cm)	200 (approx.200 cm)	240 (approx.239 cm)	280 (approx.280 cm)	320 (approx.319 cm)
	Depth 68 cm					
Drawing showing door configuration						
Number of doors	2	2	2	2	2	2
<b>HEIGHT 223 CM</b>		▼ Art. no.	▼ Price £	...	<b>HEIGHT 223 CM</b>	
Mirror		<b>4B66</b>		<b>4B70</b>	<b>4B74</b>	<b>4B78</b>
Colour mirror or colour glass		<b>4C66</b>		<b>4C70</b>	<b>4C74</b>	<b>4C78</b>
<b>HEIGHT 236 CM</b>		▼ Art. no.	▼ Price £	...	<b>HEIGHT 236 CM</b>	
Mirror		<b>4N66</b>		<b>4N70</b>	<b>4N74</b>	<b>4N78</b>
Colour mirror or colour glass		<b>4P66</b>		<b>4P70</b>	<b>4P74</b>	<b>4P78</b>

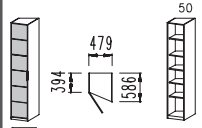
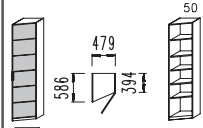
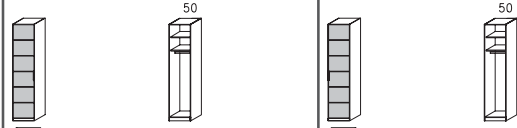
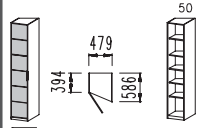
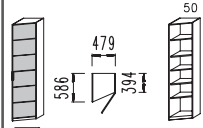
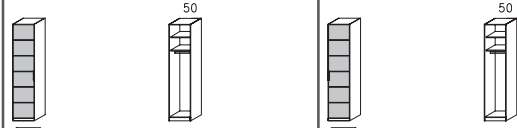
HINGED DOOR ROBES	Width in cm	150 (approx.151 cm)	200 (approx.200 cm)	250 (approx.250 cm)	300 (approx.299 cm)	
	Depth 61 cm					
Drawing showing door stop						
Number of doors	3	4	5	6		
<b>HEIGHT 223 CM</b>		▼ Art. no.	▼ Price £	...	<b>HEIGHT 223 CM</b>	
Mirror		<b>4B15</b>		<b>4B20</b>	<b>4B25</b>	<b>4B30</b>
Colour mirror or colour glass		<b>4C15</b>		<b>4C20</b>	<b>4C25</b>	<b>4C30</b>
<b>HEIGHT 236 CM</b>		▼ Art. no.	▼ Price £	...	<b>HEIGHT 236 CM</b>	
Mirror		<b>4N15</b>		<b>4N20</b>	<b>4N25</b>	<b>4N30</b>
Colour mirror or colour glass		<b>4P15</b>		<b>4P20</b>	<b>4P25</b>	<b>4P30</b>

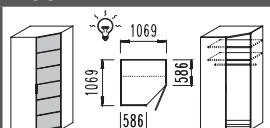
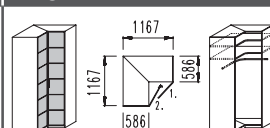

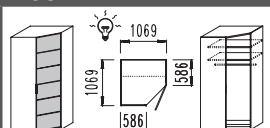
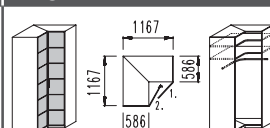

# FRONT 4 | Individual units and corner-robes

1 COL. CODE FRONT VARIATION ▶		MIRROR	COLOUR MIRROR OR	COLOUR GLASS			
CARCASE COLOUR ▼	INTERIOR COLOUR ▼	Crystal mirror	Grey mirror	Bronze mirror	Crystal white	Black	Fango
White matt	Structure grey	Z010_	Z011_	Z012_	Z015_	Z017_	Z018_
Black matt	Structure grey	Z030_	Z031_	Z032_	Z035_	Z037_	Z038_
Sanremo oak light colour	Structure grey	Z050_	Z051_	Z052_	Z055_	Z057_	Z058_
Sanremo oak dark colour	Structure grey	Z070_	Z071_	Z072_	Z075_	Z077_	Z078_
Walnut colour	Structure grey	Z090_	Z091_	Z092_	Z095_	Z097_	Z098_

**\*NOTE:**  
If CARCASE COLOUR is selected for a hinged door robe, the profiles are always in carcase colour and the handles chrome-coloured.

2 PROFILES AND HANDLES ▶	CHROME-COLOURED = Please add a "C" to the colour code	CARCASE COLOUR * = Please add a "K" to the colour code
--------------------------	---	--

3 INDIVIDUAL UNITS	Width in cm	50 (approx.48 cm)	50 (approx.48 cm)	50 (approx.51 cm)	50 (approx.51 cm)	100 (approx.101 cm)
	Depth 61 cm					
Drawing showing door stop						
Name	Bevelled end unit, left		Bevelled end unit, right		1-door unit, left	
Name	1-door unit, right		2-door unit			
HEIGHT 223 CM	▼ Art. no.	▼ Price £	HEIGHT 223 CM			
Mirror	4B1L		4B1R	4B5L	4B5R	4B10
Colour mirror or colour glass	4C1L		4C1R	4C5L	4C5R	4C10
HEIGHT 236 CM	▼ Art. no.	▼ Price £	HEIGHT 236 CM			
Mirror	4N1L		4N1R	4N5L	4N5R	4N10
Colour mirror or colour glass	4P1L		4P1R	4P5L	4P5R	4P10

CORNER-ROBES/ SHELF UNITS	Width in cm	105	115	30 - 101	45	Lighting for corner-robe 45°
	Depth 41 cm (shelf units only)					
Drawing						
Name	Corner-robe 45°, walk-in, with interior lighting		Corner robe 90°, 2 doors		Made-to-measure and TV shelf, width alteration 30-101 cm	
Name	Coat rack element					
HEIGHT 223 CM	▼ Art. no.	▼ Price £	HEIGHT 223 CM			
Mirror	4B01		4B02	4200	2398	
Colour mirror or colour glass	4C01		4C02	4200	2398	
HEIGHT 236 CM	▼ Art. no.	▼ Price £	HEIGHT 236 CM			
Mirror	4N01		4N02	4205	2399	
Colour mirror or colour glass	4P01		4P02	4205	2399	

<b>COL. CODE</b>	<b>ALL PASSEPARTOUTS CAN BE ORDERED WITH THE SAME COLOUR CODE AS THE WARDROBE!</b>	<b>Lighting for passepartout frame</b>
<b>CARCASE COLOUR ▼</b>		<p>This luminaire contains built-in LED lamps of the energy classes A++ - A*. The lamps cannot be replaced in the luminaire. *) on a scale from A++ (highest efficiency) to E (lowest efficiency)</p>
White matt		
Black matt		
Sanremo oak light colour		
Sanremo oak dark colour		
Walnut colour		

PASSEPARTOUTS FOR GLIDING DOOR ROBES	Width in cm	160	200	240	280	320	
	Wardrobe depth incl. passepart. = 71 cm						
	Drawing						
External dimensions (W/H)		↔173 cm ↓227/240 cm	↔212 cm ↓227/240 cm	↔250 cm ↓227/240 cm	↔292 cm ↓227/240 cm	↔330 cm ↓227/240 cm	
<b>HEIGHT 223 CM</b>		▼ Art. no.	▼ Price £	...	<b>HEIGHT 223 CM</b>		
WITHOUT lighting		2405		2407	2409	2411	2413
WITH lighting		2425		2427	2429	2431	2433
<b>HEIGHT 236 CM</b>		▼ Art. no.	▼ Price £	...	<b>HEIGHT 236 CM</b>		
WITHOUT lighting		2445		2447	2449	2451	2453
WITH lighting		2465		2467	2469	2471	2473




PASSEPARTOUTS FOR HINGED DOOR ROBES	Width in cm	150	200	250	300		
	Wardrobe depth incl. passepart. = 66 cm						
	Drawing						
External dimensions (W/H)		↔156 cm ↓226/239 cm	↔206 cm ↓226/239 cm	↔255 cm ↓226/239 cm	↔305 cm ↓226/239 cm		
<b>HEIGHT 223 CM</b>		▼ Art. no.	▼ Price £	...	<b>HEIGHT 223 CM</b>		
WITHOUT lighting		2303		2307	2304	2312	2382
WITH lighting		2323		2327	2324	2332	
<b>HEIGHT 236 CM</b>		▼ Art. no.	▼ Price £	...	<b>HEIGHT 236 CM</b>		
WITHOUT lighting		2343		2347	2344	2352	2383
WITH lighting		2363		2367	2364	2372	




# FRONT 1 - 4 | Bedside tables and cupboards




STEFFEN

COL. CODE	VARIATION ▶	CARCASE COLOUR TOP	COLOUR GLASS TOP		
<b>CARCASE COLOUR ▼</b>	<b>INTERIOR COLOUR ▼</b>	Plain	Crystal white	Black	Fango
White matt	Structure grey	<b>Z000C</b>	<b>Z015C</b>	<b>Z017C</b>	<b>Z018C</b>
Black matt	Structure grey	<b>Z020C</b>	<b>Z035C</b>	<b>Z037C</b>	<b>Z038C</b>
Sanremo oak light colour	Structure grey	<b>Z040C</b>	<b>Z055C</b>	<b>Z057C</b>	<b>Z058C</b>
Sanremo oak dark colour	Structure grey	<b>Z060C</b>	<b>Z075C</b>	<b>Z077C</b>	<b>Z078C</b>
Walnut colour	Structure grey	<b>Z080C</b>	<b>Z095C</b>	<b>Z097C</b>	<b>Z098C</b>

**HANDLES ▶ THE HANDLES ARE ALWAYS CHROME-COLOURED FOR ALL MATCHING PIECES**

<b>BEDSIDE TABLES</b>											
 Coloured area = colour glass variation ▼	Number of doors/drawers	2 DW		2 DW		2 DW		2 DW		3 DW	
	Dimensions	↔49 cm ↓41 cm ↗41 cm		↔61 cm ↓41 cm ↗41 cm		↔49 cm ↓47 cm ↗41 cm		↔61 cm ↓47 cm ↗41 cm		↔49 cm ↓58 cm ↗41 cm	
	▼ Art. no. ▼ Price £	...		...		...		...		...	
 Carcase colour/colour finish top	<b>10XA</b>		<b>26XA</b>		<b>14XA</b>		<b>30XA</b>		<b>18XA</b>		
 Colour glass top	<b>11XA</b>		<b>27XA</b>		<b>15XA</b>		<b>31XA</b>		<b>19XA</b>		

<b>BEDSIDE TABLES</b>											
 Coloured area = colour glass variation ▼	Number of doors/drawers	3 DW		3 DW		3 DW		Wall mirror			
	Dimensions	↔61 cm ↓58 cm ↗41 cm		↔49 cm ↓67 cm ↗41 cm		↔61 cm ↓67 cm ↗41 cm		↔120 cm ↓55 cm ↗2 cm			
	▼ Art. no. ▼ Price £	...		...		...		...		...	
 Carcase colour/colour finish top	<b>34XA</b>		<b>22XA</b>		<b>38XA</b>		<b>0838</b>				
 Colour glass top	<b>35XA</b>		<b>23XA</b>		<b>39XA</b>						

<b>CUPBOARDS</b>											
 Coloured area = colour glass variation ▼	Number of doors/drawers	2 DW		4 DW		4 DW, 1 door left		4 DW			
	Dimensions	↔98 cm ↓47 cm ↗41 cm		↔49 cm ↓87 cm ↗41 cm		↔98 cm ↓87 cm ↗41 cm		↔98 cm ↓87 cm ↗41 cm		↔98 cm ↓87 cm ↗41 cm	
	▼ Art. no. ▼ Price £	...		...		...		...		...	
 Carcase colour/colour finish top	<b>42XA</b>		<b>46XA</b>		<b>58XA</b>		<b>50XA</b>		<b>66XA</b>		
 Colour glass top	<b>43XA</b>		<b>47XA</b>		<b>59XA</b>		<b>51XA</b>		<b>67XA</b>		

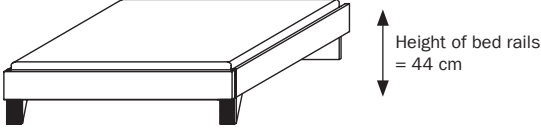


# STEFFEN

## Headboards and bedframes

COL. CODE	VARIATION ▶	FRAMES SINGLE COLOUR
<b>COLOUR ▼</b>		
White matt		<b>Z000C</b>
Black matt		<b>Z020C</b>
Sanremo oak light colour		<b>Z040C</b>
Sanremo oak dark colour		<b>Z060C</b>
Walnut colour		<b>Z080C</b>

**COLOUR OF FEET/BARS ▶ THE FEET AND BARS ARE ALWAYS CHROME-COLOURED FOR ALL BED FRAMES**


FRAME 1	Width in cm	140	160	180	200									
	Drawing													
	Name	Frame 1 with chrome coloured feet and corner bars												
Dimensions (W/H)		↔ 148 cm ↓ 95 cm	↔ 168 cm ↓ 95 cm	↔ 188 cm ↓ 95 cm	↔ 208 cm ↓ 95 cm									
<b>LENGTH 190 CM</b>	▼ Art. no.	▼ Price £	...	...	<b>LENGTH 190 CM</b>	(Total length approx. 210 cm)								
Single colour	5230.26		5230.31		5230.36		5230.41							
<b>LENGTH 200 CM</b>	▼ Art. no.	▼ Price £	...	...	<b>LENGTH 200 CM</b>	(Total length approx. 220 cm)								
Single colour	5230.27		5230.32		5230.37		5230.42							
<b>LENGTH 210 CM</b>	▼ Art. no.	▼ Price £	...	...	<b>LENGTH 210 CM</b>	(Total length approx. 230 cm)								
Single colour	5230.28		5230.33		5230.38		5230.43							
<b>LENGTH 220 CM</b>	▼ Art. no.	▼ Price £	...	...	<b>LENGTH 220 CM</b>	(Total length approx. 240 cm)								
Single colour	5230.29		5230.34		5230.39		5230.44							

## Headboards and bedframes

COL. CODE	VARIATION ▶	FRAMES SINGLE COLOUR
<b>COLOUR ▼</b>		
White matt		<b>Z000C</b>
Black matt		<b>Z020C</b>
Sanremo oak light colour		<b>Z040C</b>
Sanremo oak dark colour		<b>Z060C</b>
Walnut colour		<b>Z080C</b>

COLOUR OF BARS ▶

THE BARS ARE ALWAYS CHROME-COLOURED FOR ALL BED FRAMES




FRAME 2	Width in cm	140	160	180	200								
	Drawing												
	Name	Frame 2 with crossbar and chrome coloured corner bars											
Dimensions (W/H)		↔ 148 cm ↓ 95 cm	↔ 168 cm ↓ 95 cm	↔ 188 cm ↓ 95 cm	↔ 208 cm ↓ 95 cm								
<b>LENGTH 190 CM</b>	▼ Art. no.	▼ Price £	...	...	<b>LENGTH 190 CM</b>	(Total length approx. 210 cm)							
Single colour	5231.26		5231.31		5231.36		5231.41						
<b>LENGTH 200 CM</b>	▼ Art. no.	▼ Price £	...	...	<b>LENGTH 200 CM</b>	(Total length approx. 220 cm)							
Single colour	5231.27		5231.32		5231.37		5231.42						
<b>LENGTH 210 CM</b>	▼ Art. no.	▼ Price £	...	...	<b>LENGTH 210 CM</b>	(Total length approx. 230 cm)							
Single colour	5231.28		5231.33		5231.38		5231.43						
<b>LENGTH 220 CM</b>	▼ Art. no.	▼ Price £	...	...	<b>LENGTH 220 CM</b>	(Total length approx. 240 cm)							
Single colour	5231.29		5231.34		5231.39		5231.44						

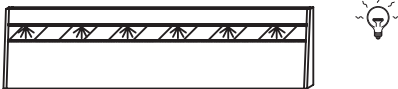


# STEFFEN

## Headboards and bedframes

COL. CODE	APPLICATION COLOUR ▶	MIRROR	COLOUR MIRROR	OR	COLOUR GLASS			
<b>CARCASE COLOUR ▼</b>		Crystal mirror	Grey mirror		Bronze mirror	Crystal white	Black	Fango
White matt		<b>Z010C</b>	<b>Z011C</b>		<b>Z012C</b>	<b>Z015C</b>	<b>Z017C</b>	<b>Z018C</b>
Black matt		<b>Z030C</b>	<b>Z031C</b>		<b>Z032C</b>	<b>Z035C</b>	<b>Z037C</b>	<b>Z038C</b>
Sanremo oak light colour		<b>Z050C</b>	<b>Z051C</b>		<b>Z052C</b>	<b>Z055C</b>	<b>Z057C</b>	<b>Z058C</b>
Sanremo oak dark colour		<b>Z070C</b>	<b>Z071C</b>		<b>Z072C</b>	<b>Z075C</b>	<b>Z077C</b>	<b>Z078C</b>
Walnut colour		<b>Z090C</b>	<b>Z091C</b>		<b>Z092C</b>	<b>Z095C</b>	<b>Z097C</b>	<b>Z098C</b>

**PROFILES ▶ THE PROFILES ARE ALWAYS CHROME-COLOURED FOR ALL HEADBOARDS**

HEADBOARDS 1 without lighting	Width in cm	140	160	180	200								
		Drawing											
Shaded area = Front variation colour	Name	Headboard 1 in carcass colour with mirror or glass inlay, without lighting											
	Dimensions (W/H)	↔ 148 cm ↓ 95 cm	↔ 168 cm ↓ 95 cm	↔ 188 cm ↓ 95 cm	↔	↓							
	▼ Art. no.	▼ Price £	...	...	...								
 Mirror		<b>5211.53</b>	<b>5211.54</b>	<b>5211.55</b>	<b>5211.56</b>								
 Colour mirror or colour glass		<b>5212.53</b>	<b>5212.54</b>	<b>5212.55</b>	<b>5212.56</b>								

HEADBOARDS 1 with lighting	Width in cm	140	160	180	200								
		Drawing											
Shaded area = Front variation colour	Name	Headboard 1 in carcass colour with mirror or glass inlay, with integrated LED lighting											
	Dimensions (W/H)	↔ 148 cm ↓ 95 cm	↔ 168 cm ↓ 95 cm	↔ 188 cm ↓ 95 cm	↔	↓							
	▼ Art. no.	▼ Price £	...	...	...								
 Mirror		<b>5216.53</b>	<b>5216.54</b>	<b>5216.55</b>	<b>5216.56</b>								
 Colour mirror or colour glass		<b>5217.53</b>	<b>5217.54</b>	<b>5217.55</b>	<b>5217.56</b>								



@HEADER\_LEFT1.....  
 @HEADER\_LEFT2.....

@HEADER\_CENTER1.....  
 @HEADER\_CENTER2.....

@HEADER\_RIGHT1  
 @HEADER\_RIGHT2

STEFFEN

COL. CODE	
<b>CARCASE COLOUR ▼</b>	<b>MADE-TO-MEASURE CAN BE ORDERED WITH THE SAME COLOUR CODE AS THE WARDROBE!</b>
White matt	
Black matt	
Sanremo oak light colour	
Sanremo oak dark colour	
Walnut colour	

MADE-TO-MEASURE		APN No.		
<b>Gliding door robe</b>  With optional door damper and automatic closing mechanism	Front 1 – replace parts (all front colours – glass or mirror), each	<b>696</b>		
	Front 2 – replace parts (all front colours – glass or mirror), each	<b>696</b>		
	Front 3 – replace parts (all front colours – glass or mirror), each	<b>696</b>		
	Shortening of depth, per unit	<b>301</b>		
	Shortening of height, wardrobe width from 160 to 240 cm	<b>680</b>		
	Shortening of height, wardrobe width from 280 to 320 cm	<b>682</b>		
	<b>Shortening of height for front 4 by max. 20 cm (10 cm each from the top and bottom)</b>			
	Angled to the rear, wardrobe width from 160 to 240 cm	<b>172</b>		
	Angled to the rear, wardrobe width from 280 to 320 cm	<b>174</b>		
Back angle (notching the fireplace)	<b>160</b>			
<b>Passepartout</b>	Shortening of height, passepartout frame	<b>130</b>		
	Shortening of height, spacer profiles	<b>130</b>		
<b>Hinged door robe</b>  All wardrobes can be extended	Replace crystal or grey mirror door parts, each (2 parts per door)	<b>101</b>		
	Replace bronze mirror door parts, each (2 parts per door)	<b>061</b>		
	Replace glass door parts, each (2 parts per door)	<b>081</b>		
	Replace the front - 1 door wardrobe, W 50 cm, with front colour matching the carcass colour, without trim (plain front)	<b>040</b>		
	Replace the front - 2 door wardrobe, W 100 cm, with front colour matching the carcass colour, without trim (plain front)	<b>040</b>		
	Shortening of height – glass and mirror doors, per door	<b>511</b>		
	<b>Shortening of height for front 4 by max. 20 cm (10 cm each from the top and bottom)</b>			
	Shortening of depth, per unit	<b>301</b>		
	Door hinged on the left	<b>149</b>		
	Angled to the rear, per unit	<b>171</b>		
	Angled to the side, per door (incl. glass and mirror doors)	<b>161</b>		
	Shortening of width – 1-door unit, by max. 20 cm per door (incl. glass and mirror doors)	<b>521</b>		
	Shortening of width – 2-door unit, by max. 20 cm per door (incl. glass and mirror doors)	<b>522</b>		
	Shortening of width – 2 units, by max. 20 cm per door (incl. glass and mirror doors)	<b>524</b>		
Back angle (notching the fireplace)	<b>160</b>			



# STEFFEN

COL. CODE	
<b>CARCASE COLOUR ▼</b>	<b>MADE-TO-MEASURE CAN BE ORDERED WITH THE SAME COLOUR CODE AS THE WARDROBE!</b>
White matt	
Black matt	
Sanremo oak light colour	
Sanremo oak dark colour	
Walnut colour	

MADE-TO-MEASURE		APN No.		
<b>Corner-robe</b>	Replace crystal or grey mirror door parts, each (2 parts per door)	<b>101</b>		
	Replace bronze mirror door parts, each (2 parts per door)	<b>061</b>		
	Replace glass door parts, each (2 parts per door)	<b>081</b>		
	Shortening of height – (incl. glass and mirror doors), 1 door	<b>157</b>		
	Shortening of height – (incl. glass and mirror doors), 2 door	<b>145</b>		
	<b>Shortening of height for front 4 by max. 20 cm (10 cm each from the top and bottom)</b>			
	Shortening of depth on one side, 1 door	<b>151</b>		
	Shortening of depth on one side, 2 door	<b>147</b>		
	Door hinged on the left	<b>149</b>		
	Angled to the rear, per unit (one side only)	<b>171</b>		
Back angle (notching the fireplace)	<b>160</b>			
<b>Bevelled end unit</b> Right or left	Replace crystal or grey mirror door parts, each (2 parts per door)	<b>101</b>		
	Replace bronze mirror door parts, each (2 parts per door)	<b>061</b>		
	Replace glass door parts, each (2 parts per door)	<b>081</b>		
	Replace the front - with front colour matching the carcass colour, without trim (plain front)	<b>040</b>		
	Shortening of height – glass and mirror doors, per door	<b>511</b>		
	<b>Shortening of height for front 4 by max. 20 cm (10 cm each from the top and bottom)</b>			
<b>Bedside cupboard</b>	Shortening of depth, per unit	<b>301</b>		
	Shortening of height (by whole drawers only)	<b>250</b>		
<b>Cupboards</b>	Handle change possible, <b>prices on request</b>			
	Replace front – different colour from the same model, per drawer	<b>251</b>		
	Replace front – different colour from the same model, per door	<b>086</b>		
	Optional 4 drawers for each door	<b>249</b>		
	1 door in place of a set of drawers	<b>247</b>		
	Shortening of height of all cupboards (cupboards with drawers: by whole drawers only)	<b>250</b>		
Handle change possible, <b>prices on request</b>				
<b>Miscellaneous</b>	Fascia material, colour-finished on both sides, 16 mm thick, max. 235.2 x 58.6 cm per sqm	<b>260</b>		
	<b>Made to measure wardrobe extras or additional interior features (e.g. shelves) on request!</b>			

Further made-to-measure wardrobes are available on request!